

Search by: Part Number Keyword

[Advanced Search](#) | [View all RoHS compliant items](#)

[Login](#) | [Register](#) | [My Account](#) | [Shopping Cart](#)

[Home](#) | [Products](#) | [Services](#) | [Order](#) | [About](#) | [Contact](#) | [Help](#) | [Live Technical Support](#)

Product Detail

[PRINTABLE](#)
[EMAIL A FRIEND](#)

 Newark InOne Part No.: **44F8722**

 Manufacturer: **TYCO ELECTRONICS / AMP**

 Manufacturer Part No.: **205090-1**

 Description: **D-Subminiature Connector; Wire Size (AWG):24-20; Contact Size:20 RoHS Compliant: Yes**

AMP
[GO TO MANUFACTURER WEBSITE >>](#)

Technical Information

[- Datasheet](#)
[- Catalog Page](#)
[- RoHS Certificate of Compliance](#)
[Download Adobe Reader >>](#)

Catalog Page

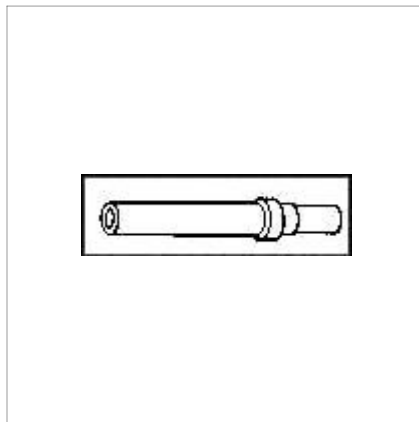
Cat. 124: 847

Cat. 123: 731

Cat. 121: 1354

Find Similar Products by Attributes

 RoHS Compliant | Yes

[FIND SIMILAR >>](#)


Quantity	Price
1 - 4	\$48.91
5 - 9	\$45.36
10 - 24	\$41.53
25 - 49	\$39.07
50 - 99	\$36.89
100 - 249	\$34.43
250 and above	\$31.97

 Availability: **1,322**

 Pack Details: **Pack of 100**

 Minimum Order Quantity: **1**

 Order Multiple Quantity: **1**
[RoHS Compliance:](#) **Yes**

 Quantity
[Manufacturer List](#) | [Live Technical Support](#) | [Help Center](#) | [Privacy Policy](#) | [Site Map](#) | [Terms & Conditions](#) | [Terms of Use](#)

© 2006 Newark InOne


 WEB SITE SUPPORT:
 1.800.NEWORK.T
 (1.800.639.2758)

 CONTACT NEWARK INONE:
 1.800.4.NEWORK
 (1.800.463.9275)
